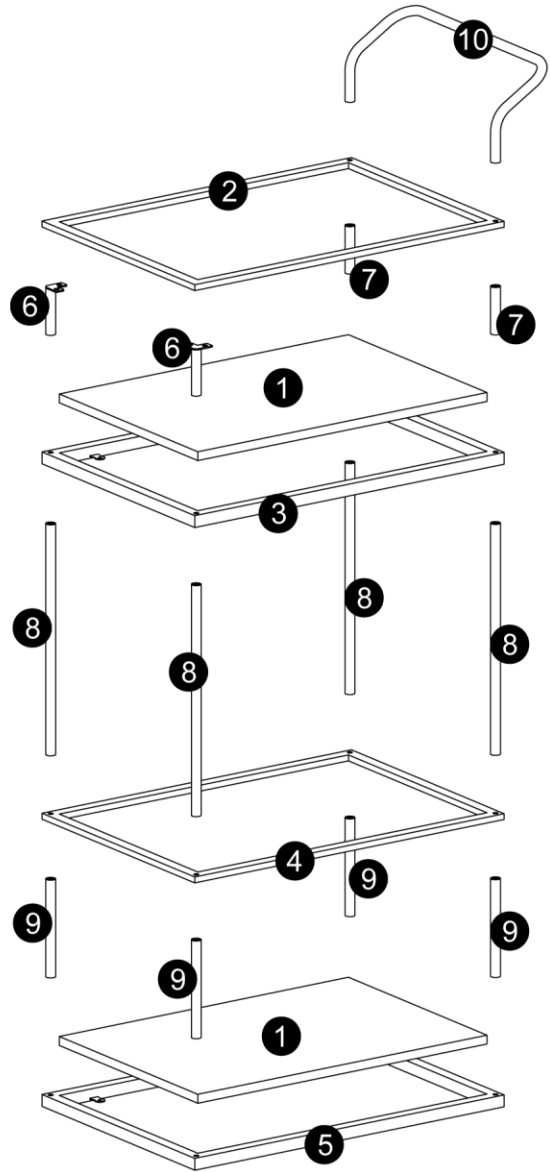
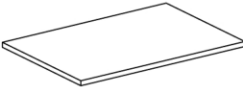
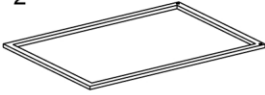
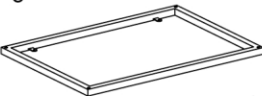
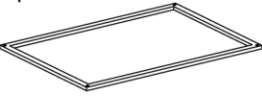
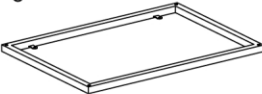




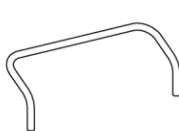





# PERTON

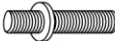



1  x 2	2  x 1
3  x 1	4  x 1
5  x 1	6  x 2
7  x 2	8  x 4
9  x 4	10  x 1


A	x 4
	
M6x8mm	


B	x 4
	
M6x35mm	


C	x 8
	
Φ4x13mm	


D	x 6
	
M6x30mm	

E	x 4
	
M6x40mm	

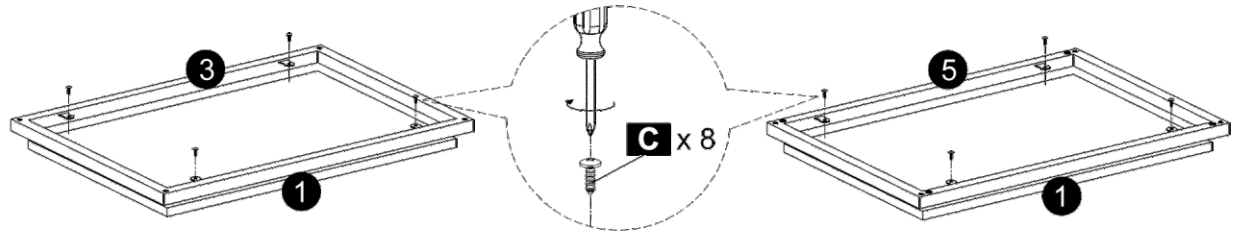
F	x 2
	

G	x 2
	

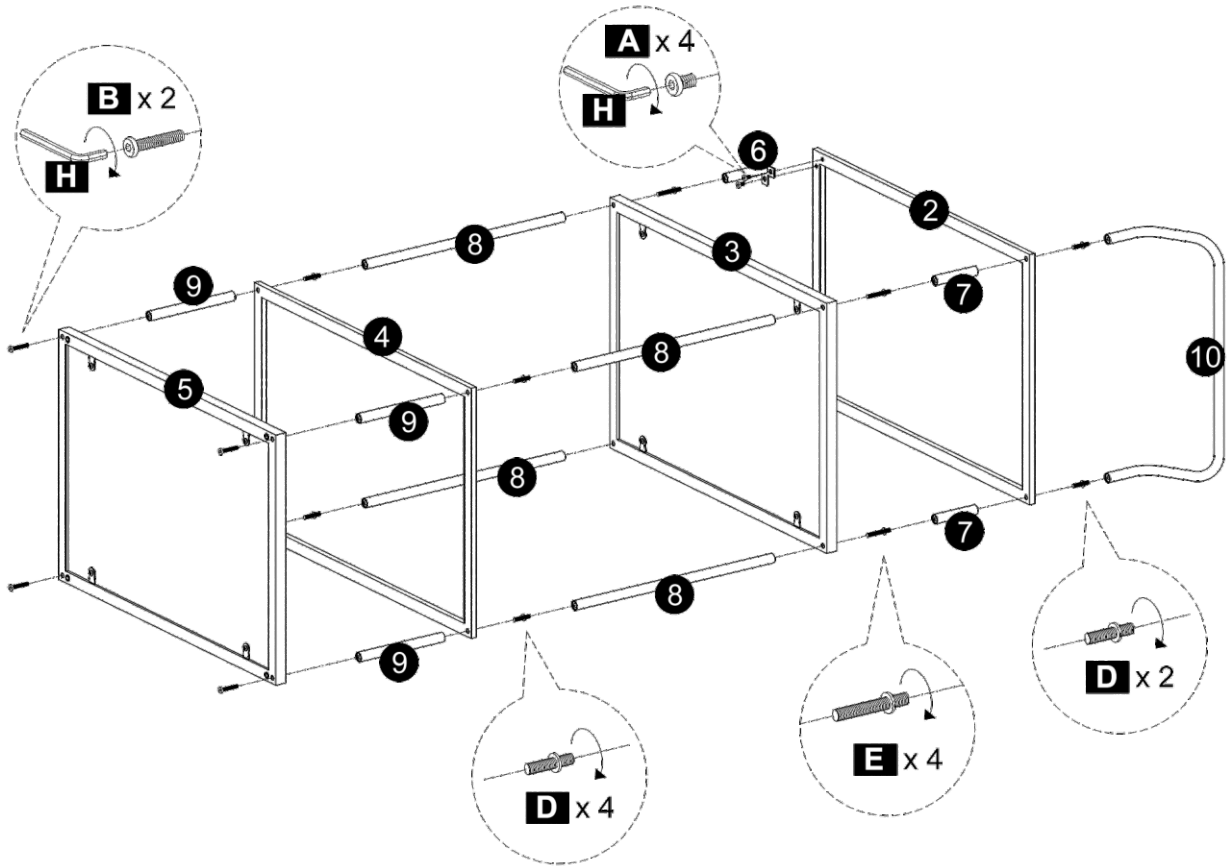
H	x 1
	
4mm	

J	x 1
	
10mm	

1



2



3

